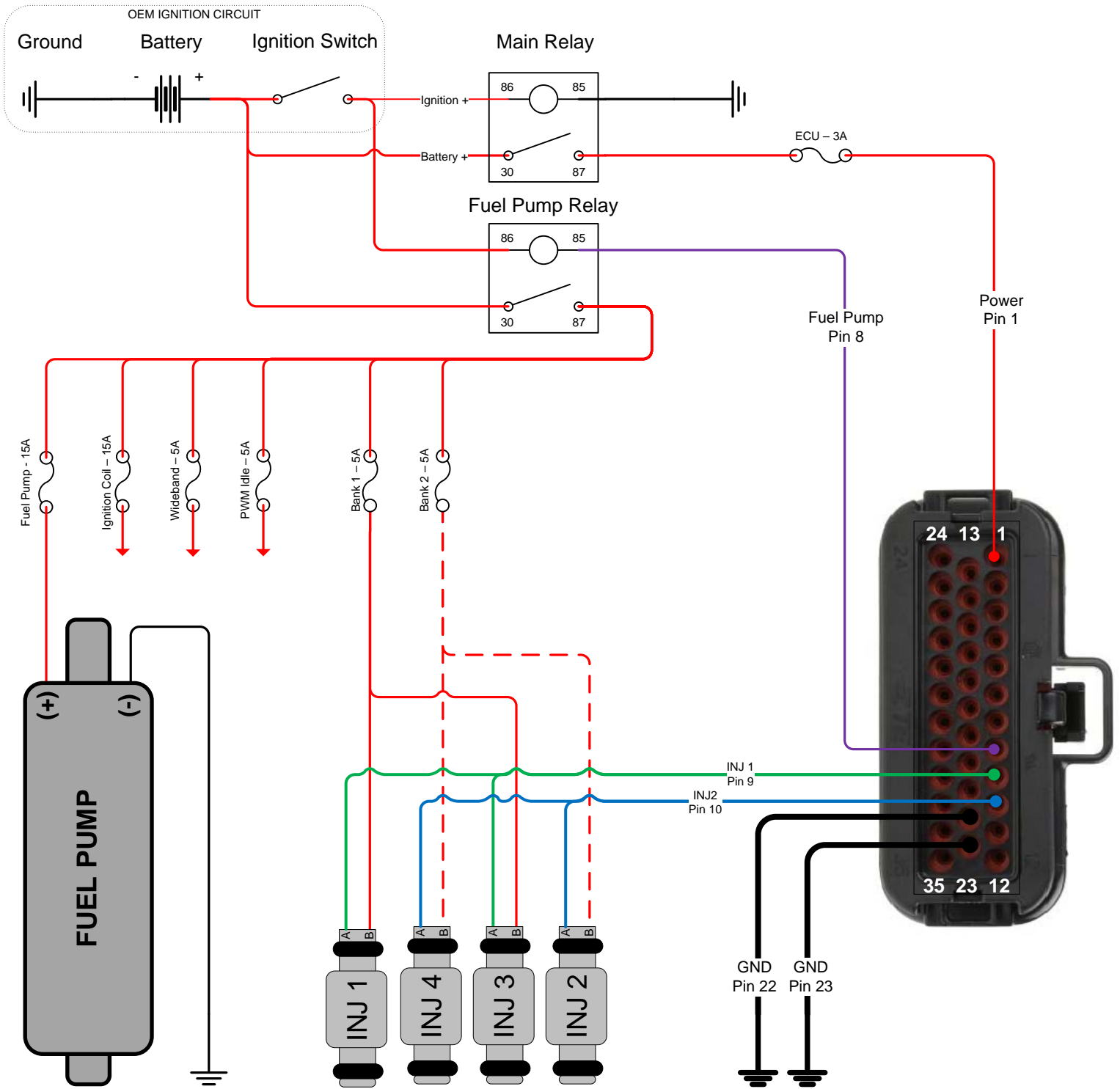


# Microsquirt Main Power Circuit



Notes:  
Fuel Pump and Injectors can be omitted in an Ignition only application.

TITLE		REVISIONS	
Microsquirt Main Power Circuit		NO.	DATE
		DESCRIPTION	
DATE ORIGINAL	SCALE		
2/2/2020	NTS		
LATEST REVISION	JOB NO.	CHECKED	DRAWN
Rev. A			MV

