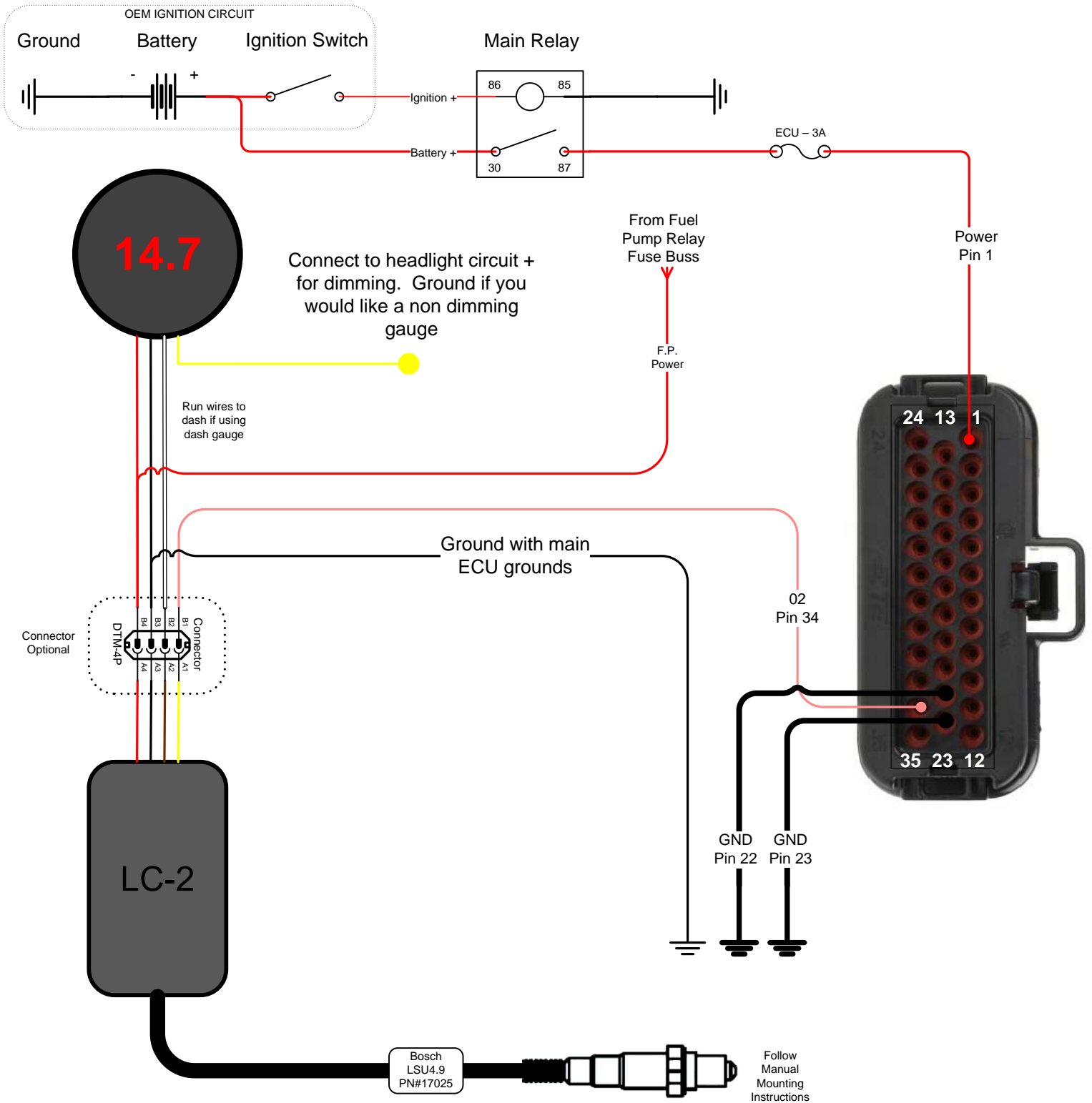


# Microsquirt 02 Input with LC2 Wideband



Notes:  
 Dash gauge is not needed for ECU operation.  
 As a default setting the ECU does not make corrects via 02 feedback to aid in initial tuning.

TITLE		REVISIONS		
Microsquirt Wideband 02 Input		NO.	DATE	DESCRIPTION
DATE ORIGINAL	SCALE			
2/2/2020	NTS			
LATEST REVISION	JOB NO.	CHECKED	DRAWN	
Rev. A			MV	

