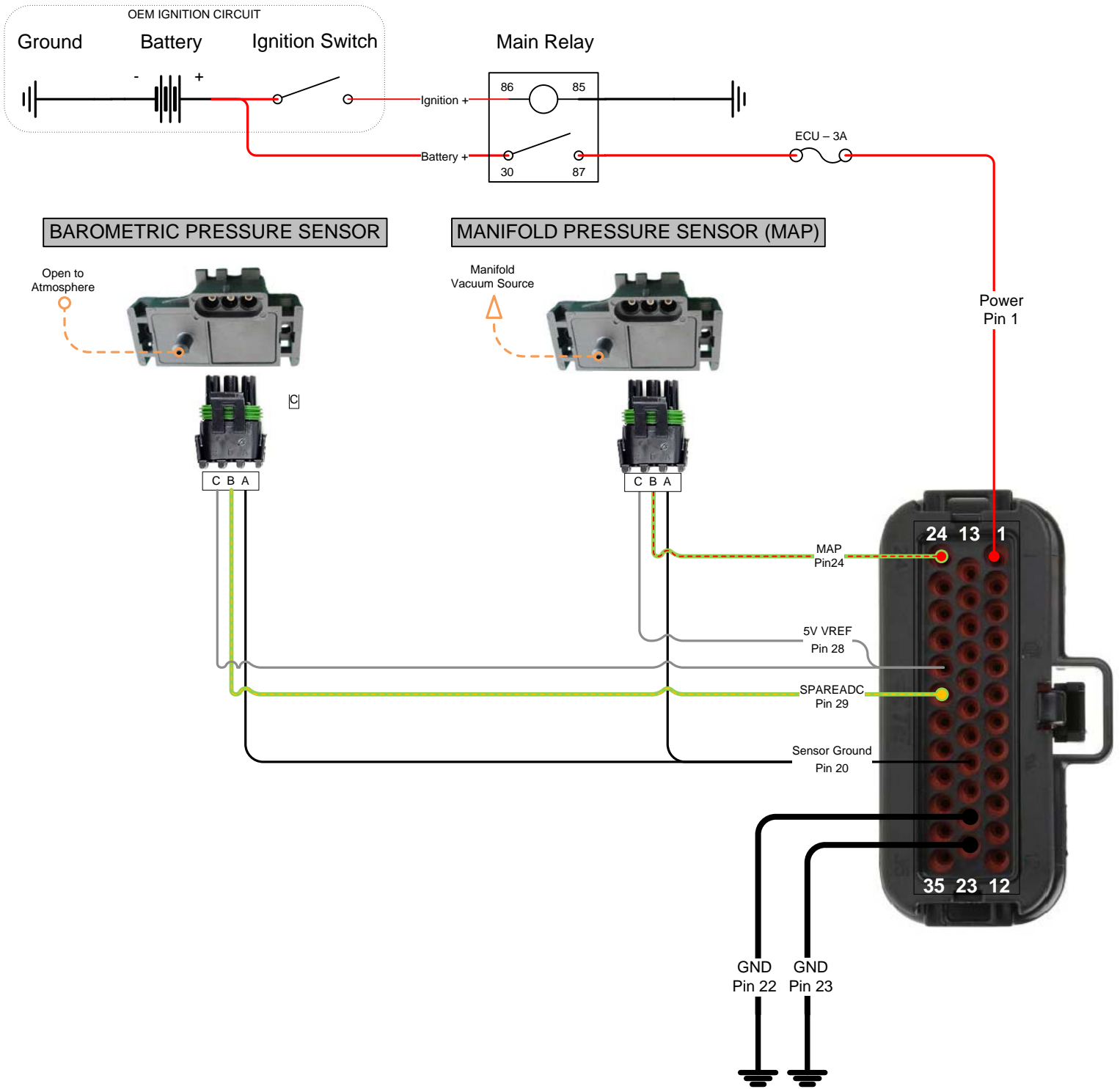


Microsquirt Barometric Pressure Input – Air Cooled VW



Notes:
 If the Microsquirt is being used as Ignition Only with no TPS sensor connect TPS pin 27 to sensor ground.

TITLE		REVISIONS	
Microsquirt Barometric Pressure Input		NO.	DATE
		DESCRIPTION	
DATE ORIGINAL	SCALE		
3/22/2021	NTS		
LATEST REVISION	JOB NO.	CHECKED	DRAWN
Rev. A			MV

