

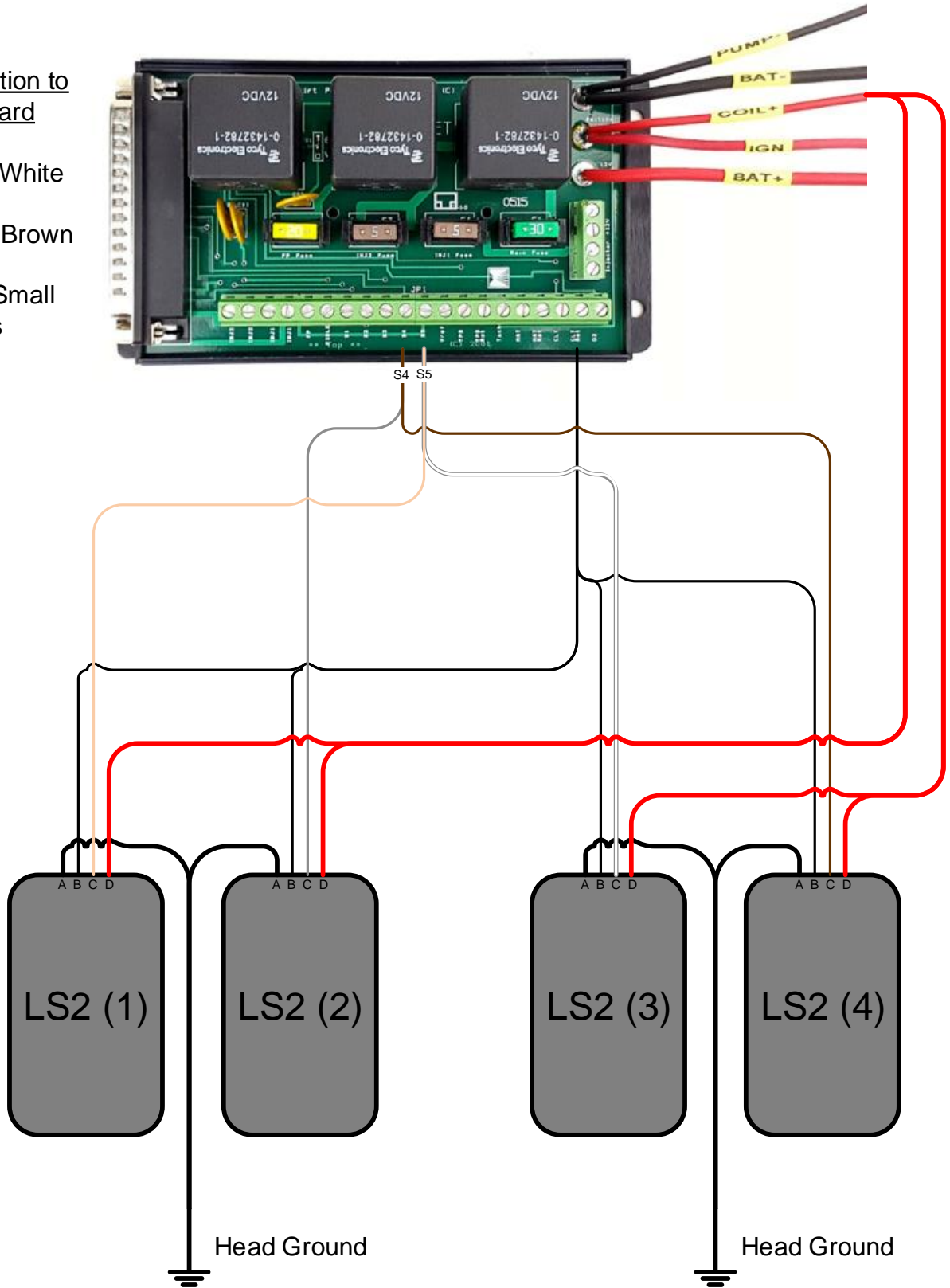
# LS2 Wasted Spark to MS2 V3.57 with Relay Board

## Coil Connection to Relay Board

S5 – Tan + White

S4 – Grey + Brown

CLTRet – Small Blacks



TITLE		REVISIONS	
LS2 Wasted Spark to MS2 V3.57		NO.	DATE DESCRIPTION
		B	10/19 Power Corrected
		C	11/19 S Positions Adjusted
DATE ORIGINAL	SCALE		
9/19/2019	NTS		
LATEST REVISION	JOB NO.	CHECKED	DRAWN
Rev. C			MV

