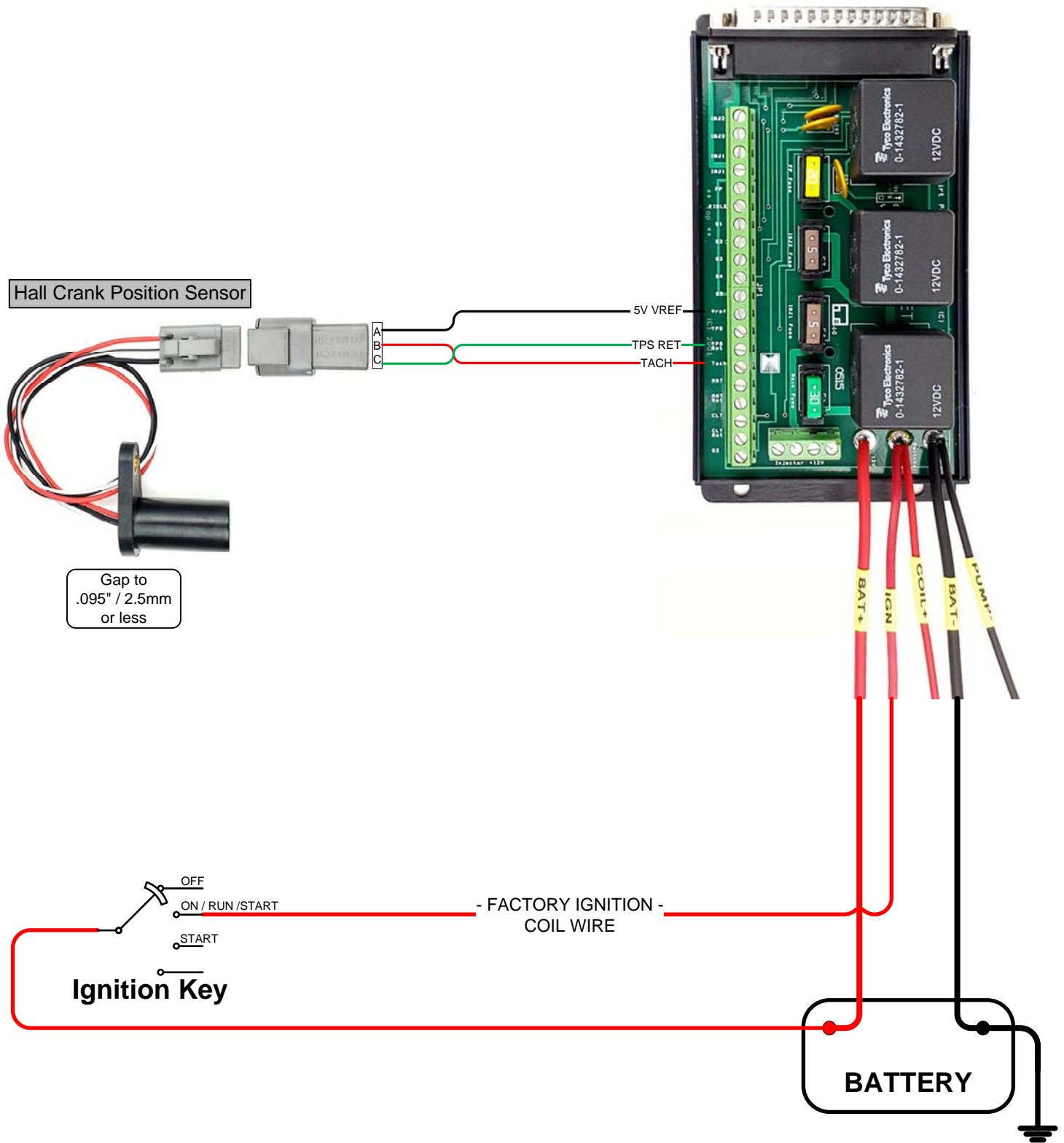


Hall Crank Sensor Input to Relay Board



Notes:
Multiple grounds may be placed into the sensor return locations. This might be from a crank sensor, additional temp sender or pressure transducer. All the sensor "Ret" locations share a ground plane so if one is nearing capacity you can use another.

TITLE MS2 V3.57 Relay Board Hall Crank Sensor		REVISIONS	
DATE ORIGINAL 10/30/2019	SCALE NTS	NO.	DATE DESCRIPTION
LATEST REVISION Rev. A	JOB NO.	CHECKED	DRAWN MV

