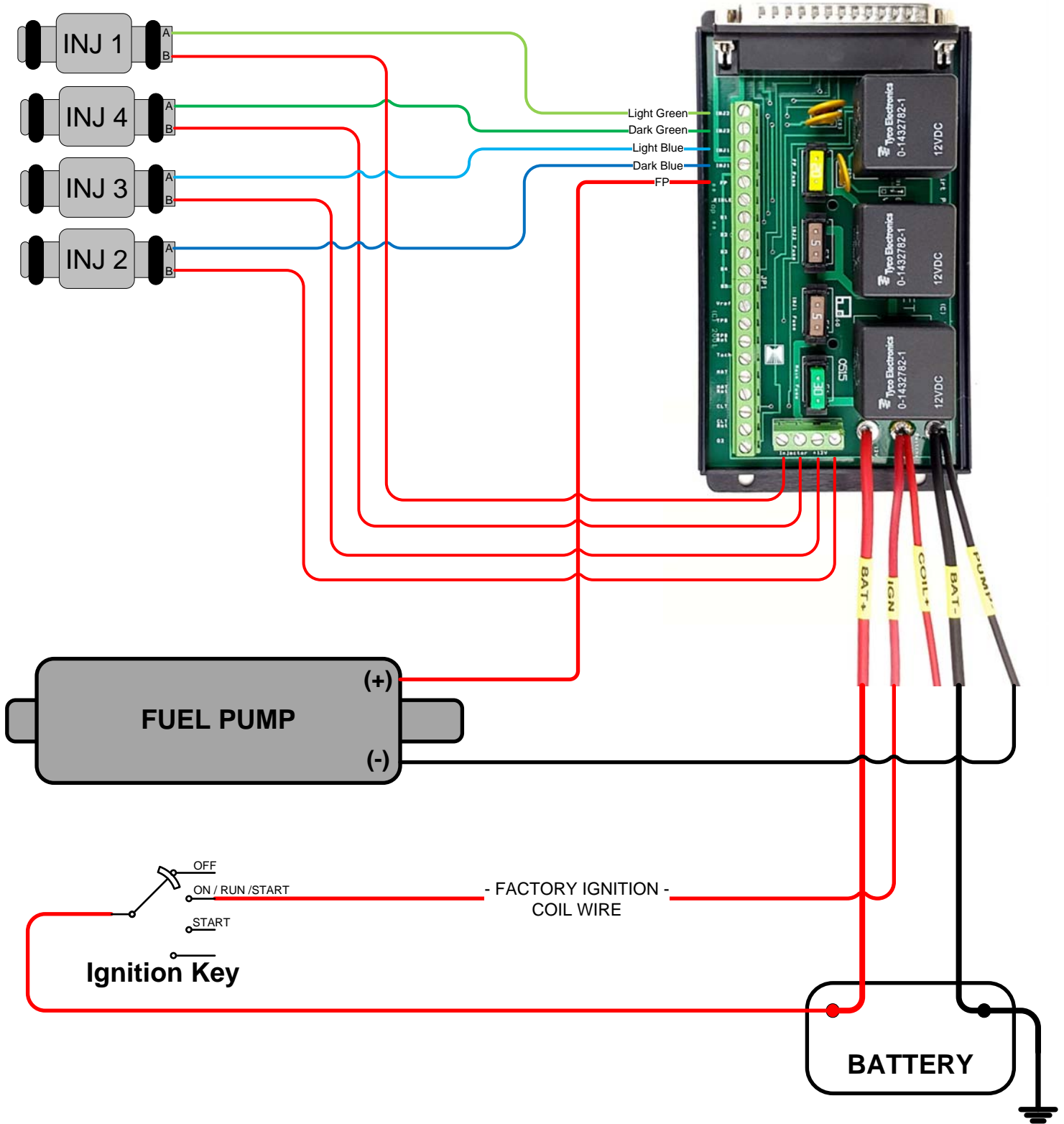


Fuel System to Relay Board



TITLE MS2 V3.57 Relay Board Fuel System		REVISIONS	
DATE ORIGINAL 10/28/2019	SCALE NTS	NO.	DATE DESCRIPTION
LATEST REVISION Rev. A	JOB NO.	CHECKED	DRAWN MV

DS
 THE DUB SHOP