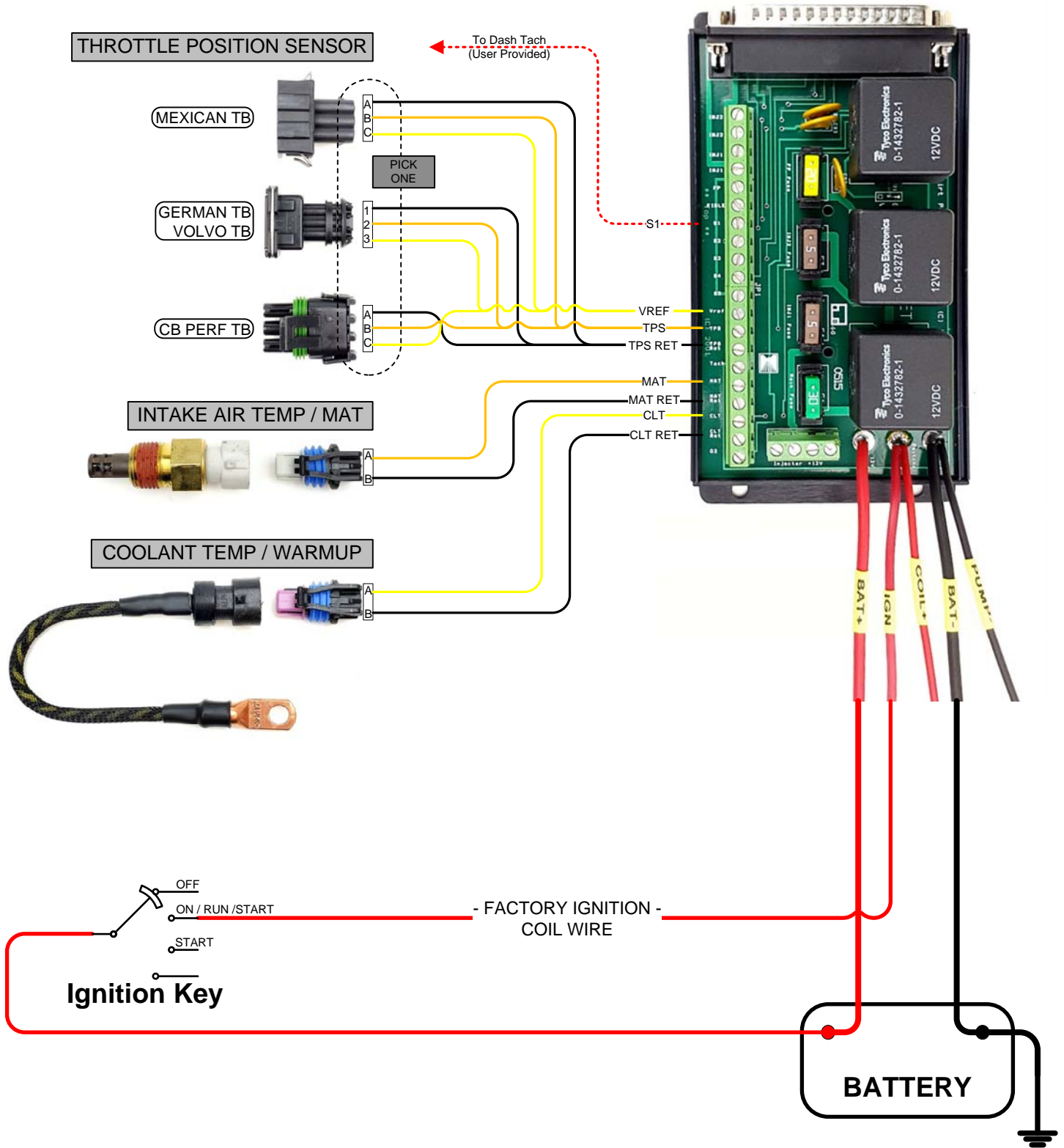


# Basic Sensors to Relay Board



**Notes:**  
 Multiple grounds may be placed into the sensor return locations. This might be from a crank sensor, additional temp sender or pressure transducer. All the sensor "Ret" locations share a ground plane so if one is nearing capacity you can use another.

TITLE		REVISIONS	
MS2 V3.57 Relay Board Basic Sensors		NO.	DATE DESCRIPTION
		B	11/19 Added Dash Tach
DATE ORIGINAL	SCALE		
10/28/2019	NTS		
LATEST REVISION	JOB NO.	CHECKED	DRAWN
Rev. B			MV

